

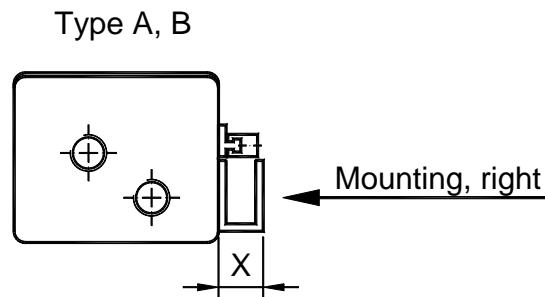
Inductive limit switches

For our pneumatic cylinders special limit switches are available.

They are of compact design, they are mounted on the left or right side of the modules and can be quickly exchanged.

For the strokes 10/25/50/80 and 100 mm two switches are integrated in one housing.

For strokes that are larger than 125 mm separate switches are available.



Technical data:

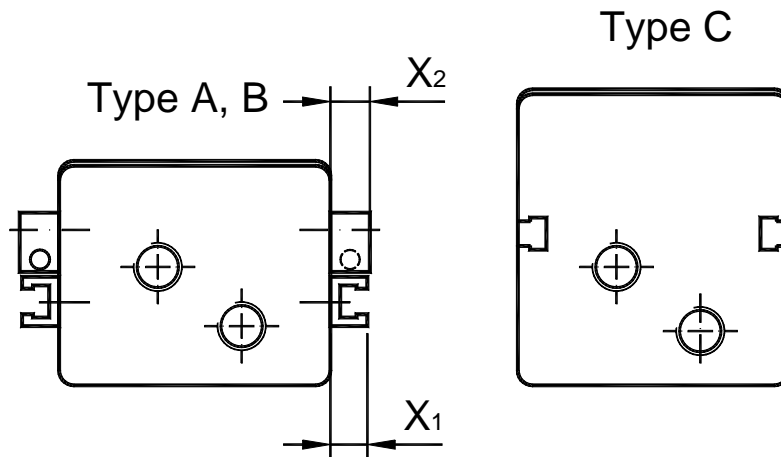
Rated operating distance:	1-2 mm (V2A surface 7x7 mm)
Supply voltage:	10 ... 30 VDC
Current input:	≤1.5 V
Ambient temperature:	-20°C ... +70°C
Type of protection:	IP 67
Connection:	cable 2 m, 4 x 0.14 mm ²
Protection:	short circuit-proof, polarised, switching outputs with protective diodes to switch inductive loads
Distance - X:	12 mm



Switch

Electrical/electronic limit switch

The electrical limit switch is used on modules with integrated standard profile groove or attached rails.
It can be mounted on both sides and is provided with a yellow LED and a suppressor circuit (replaceable by an electronic limit switch).

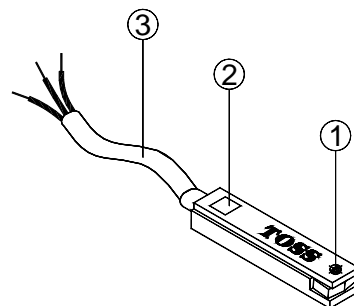


Technical data:

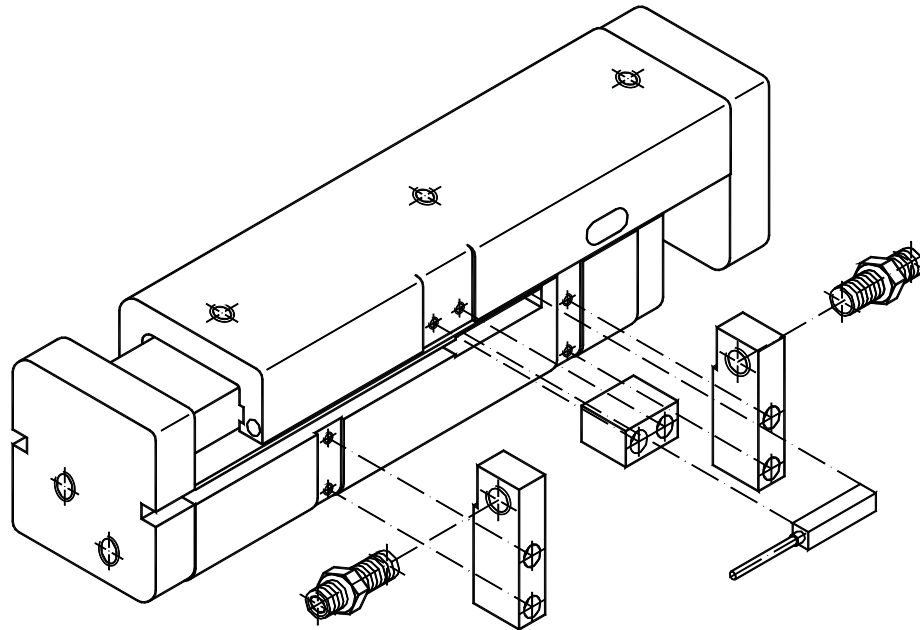
Operating voltage range:	12 ... 30 V DC
Switching capacity/current:	Max. zul. 10 W (Ohmic load) / 500mA
Temperature range:	-20°C ... +60°C
Contact type:	make contact element
Type of prot. - DIN 40050:	IP 67
Medium:	magnetic field and electr. current
Distance - X_1 :	7.5 mm
Distance - X_2 :	8.0 mm

Art.-No. 38510022

- ① Hexagon socket set screws
- ② Display switch state (yellow LED)
- ③ Connecting cable



Pneumatic cylinder type C (\varnothing 10 bis \varnothing 40 mm, stroke 25 - 200 mm)



The pneumatic cylinders of type C can be supplied with external and adjustable fixed stops or with small hydraulic shock absorbers. The mounting is possible on both sides (when small shock absorbers are mounted only front air connections can be supplied).



Piston-Ø [mm]	10	16	20	25	32	40
L1 [mm]	5	5	5	5	5	5
L2 [mm]	6,6	10	10	10	16	16
B1 [mm]	17,5	17,5	17,5	17,5	21	21

Order data for external stops or small shock absorbers

Accessories



Example of order:

