

Type SEK

Linear Ball Slide
Design sizes
10/16/20
25/32/40



For machines frequently requiring adjustments, size changes, positioning, etc. (e.g. packaging machines), TOSS – Pneumatic produces special manually-controlled linear actuators. These actuators are supplied with a clamping plate.

Technical Data:

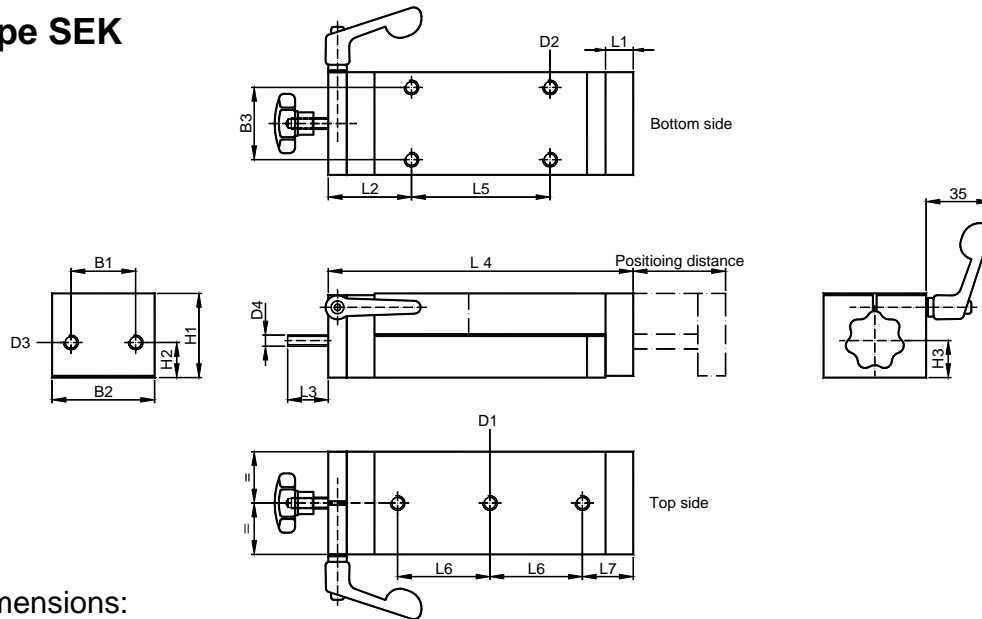
Type	10 - SEK	16 - SEK	20 - SEK	25 - SEK	32 - SEK	40 - SEK
Design type	Linear ball guide					
Positioning distance [mm]	10, 25, 50, 80, 100, 125					
Pitch of threaded spindle	1.0	1,5				
Spindle dimensions	M6 - LH	M10 - LH				
Adm. temperature range [°C]	-10 to +70					
Mounting position	Any					
Materials	Base body, upper part, cover, plate: Al Protecting tube: Ms 63, tube nut, spindle nut: Ms 58 Threaded spindle: VA					

For admissible loads see pneumatic cylinder type A, pages no. 1.1.1.3 to 1.1.1.5.

Actuators



Type SEK



Dimensions:

Size	Pitch spindle [mm]	B1 [mm]	B2 [mm]	B3 [mm]	D1/depth [mm]	D2/depth [mm]	D3/depth [mm]	D4 [mm]	H1 [mm]	H2 [mm]	H3 [mm]	L1 [mm]	L2 at positioning 10 25-125 [mm]	
10	1,0	20	30,5	20	M6/5,5	M6/7	M6/11,5	∅ 4	25	10,0	10	12	37	37
16	1,5	30	40,5	30	M6/5,5	M6/11	M6/11,5	∅ 6	30	12,0	12	12	37	37
20		30	40,5	30	M6/8,0	M6/14	M6/11,5		39,5	17,5	17,5	12	32	37
25		35	55,5	39	M8/7,5	M8/16	M8/10,5		45,5	19,5	19	15	45	45
32		45	65,5	49	M8/7,5	M8/18	M8/10,5		50,7	20,7	20	15	45	45
40		50	70,5	54	M8/10,5	M8/18	M8/10,5		65	27,0	27	20	50	50

Size		Positioning distance [mm]					
		10	25	50	80	100	125
10/16	L3	24/22	24/22	24/22	24/22	24/22	24/22
	L4	89	104	144	184	209	254
	L5	15	30	70	2 x 55	2 x 67,5	2 x 90
	L6	31	2 x 23	2 x 43	3 x 42	3 x 50	3 x 65
	L7	24,0	24,0	24,0	24,0	24,5	24,5
20	L3	22	22	22	22	22	22
	L4	89	104	144	184	209	254
	L5	25	30	70	2 x 55	2 x 67,5	2 x 90
	L6	31	2 x 23	2 x 43	3 x 42	3 x 50	3 x 65
	L7	24,0	24,0	24,0	24,0	24,5	24,5
25/32	L3	22	22	22	22	22	22
	L4	110	130	165	220	255	295
	L5	20	40	75	130	2 x 82,5	2 x 102,5
	L6	45	65	2 x 50	2 x 78	2 x 95	3 x 77
	L7	27,5	27,5	27,5	27,0	27,5	27,0
40	L3	17	17	17	17	17	17
	L4	120	140	175	230	265	305
	L5	20	40	75	130	2 x 82,5	2 x 102,5
	L6	45	65	2 x 50	2 x 78	2 x 95	3 x 77
	L7	32,5	32,5	32,5	32,0	32,5	32,0