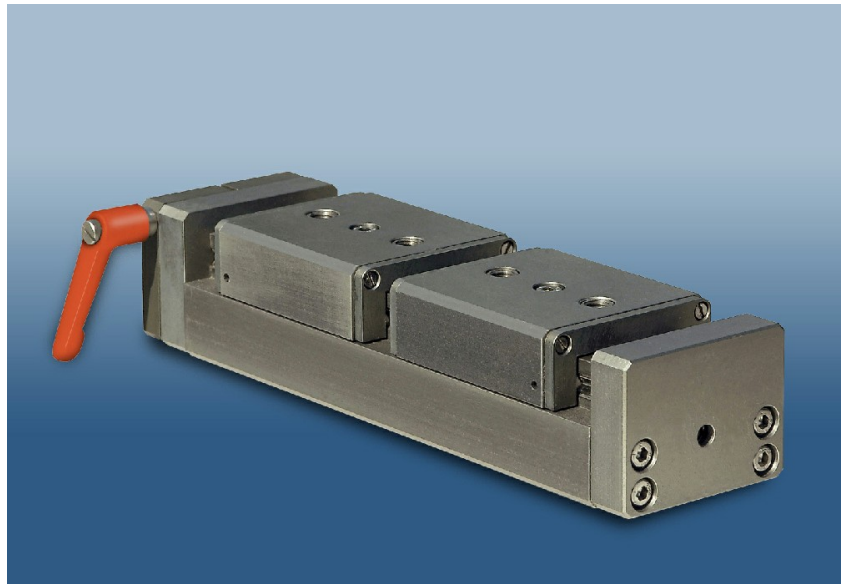


## Type SEK L R

Slideway

Design sizes  
20/25/32



Manual actuators for parallel positioning. These actuators are supplied with clamping plate.

### Technical data:

| Type                        | 20 SEK L R   | 25 SEK L R                             | 32 SEK L R                             |
|-----------------------------|--|--|--|
| Design type                 | Linear ball guide  |  |  |
| Positioning distance [mm]   | 2 x 20; 2 x 42,5;<br>2 x 72,5; 2 x 100   | 2 x 22,5; 2 x 42,5; 2 x 70;<br>2 x 105 | 2 x 22,5; 2 x 42,5;<br>2 x 70; 2 x 105 |
| Pitch of threaded spindle   | 1.5  |  |  |
| Spindle dimensions          | M 10 / M10 – LH  |  |  |
| Adm. temperature range [°C] | -10 to +70   |  |  |
| Mounting position           | Any  |  |  |
| Materials                   | Base body, upper parts, cover: Al<br>Spindle nuts, carrier, clamping plate: Ms58<br>Threaded spindle: VA |  |  |

### Weights: [gramme]

| Size | Positioning distance [mm] |          |          |         |
|------|---------------------------|----------|----------|---------|
|      | 2 x 20                    | 2 x 42,5 | 2 x 72,5 | 2 x 100 |
| 20   | 870                       |          |          |         |

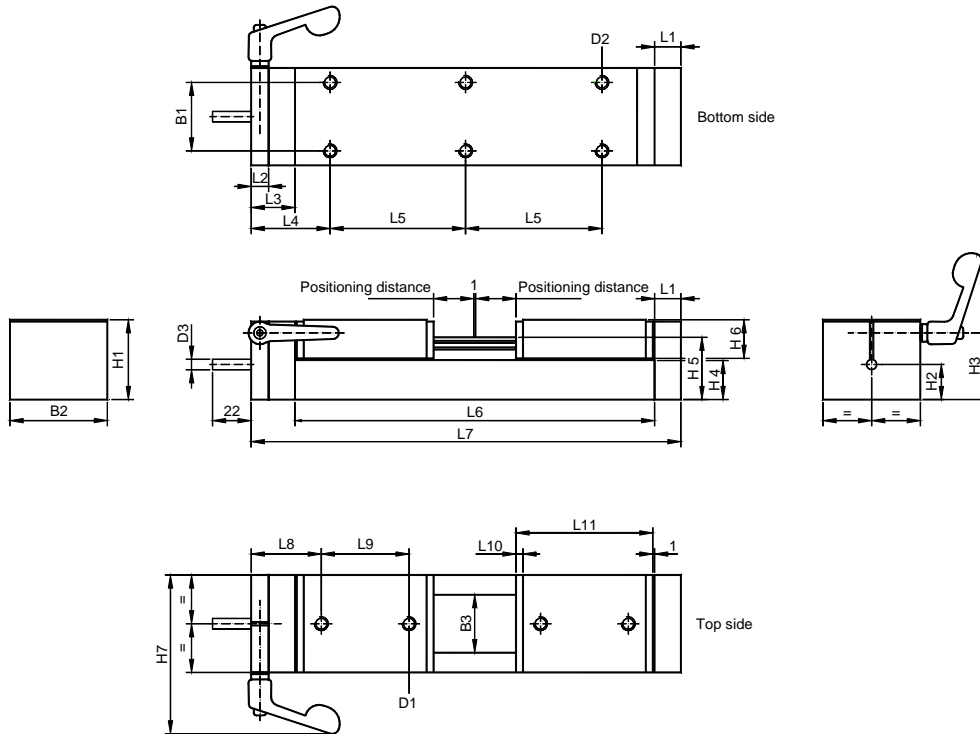
| Size | Positioning distance [mm] |          |        |         |
|------|---------------------------|----------|--------|---------|
|      | 2 x 22,5                  | 2 x 42,5 | 2 x 70 | 2 x 105 |
| 25   |                           |          |        |         |
| 32   | 1740                      |          |        |         |

Delivery time on request

# Actuators



## Type SEK



### Dimensions:

| Size | Pitch spindle [mm] | L1 [mm] | L2 [mm] | L3 [mm] | L4 [mm] | L8 [mm] | L9 [mm] | L10 [mm] | L11 [mm] | H1 [mm] | H2 [mm] | H3 [mm] | H4 [mm] | H5 [mm] |
|------|--------------------|---------|---------|---------|---------|---------|---------|----------|----------|---------|---------|---------|---------|---------|
| 20   | 1,5                | 12      | 10      | 22      | 37      | 38      | 31      | 3        | 61       | 39,5    | 17,5    | 33,3    | 24      | 30      |
| 25   |                    | 15      |         | 25      | 45      | 42,5    | 45      | 4        | 78       | 45,5    | 19      | 38,75   | 22,5    | 35,5    |
| 32   |                    | 25      | 45      | 42,5    | 45      | 4       | 78      | 50,7     | 20       | 42,8    | 25,5    | 40,5    |         |         |

| Size | B1 [mm] | B2 [mm] | B3 [mm] | D1/depth [mm] | D2/depth [mm] | D3 [mm] |
|------|---------|---------|---------|---------------|---------------|---------|
| 20   | 30      | 40,5    | 21,6    | M6/8          | M6/14         | Ø 6     |
| 25   | 39      | 55,5    | 33      | M8/7,5        | M8/16         |         |
| 32   | 49      | 65,5    | 43      | M8/7,5        | M8/18         |         |

| H6 [mm] | H7 [mm] |
|---------|---------|
| 15      | 75,5    |
| 22      | 90,5    |
| 24      | 100,5   |

| Size       | 20      |           |           |          | 25 / 32   |           |         |          |
|------------|---------|-----------|-----------|----------|-----------|-----------|---------|----------|
| Pos. dist. | 2x20 mm | 2x42,5 mm | 2x72,5 mm | 2x100 mm | 2x22,5 mm | 2x42,5 mm | 2x70 mm | 2x105 mm |
| L5         | 67,5    | 90        | 120       | 147,5    | 82,5      | 102,5     | 130     | 165      |
| L6         | 165     | 210       | 270       | 325      | 205       | 245       | 300     | 370      |
| L7         | 199     | 244       | 304       | 359      | 245       | 285       | 340     | 410      |